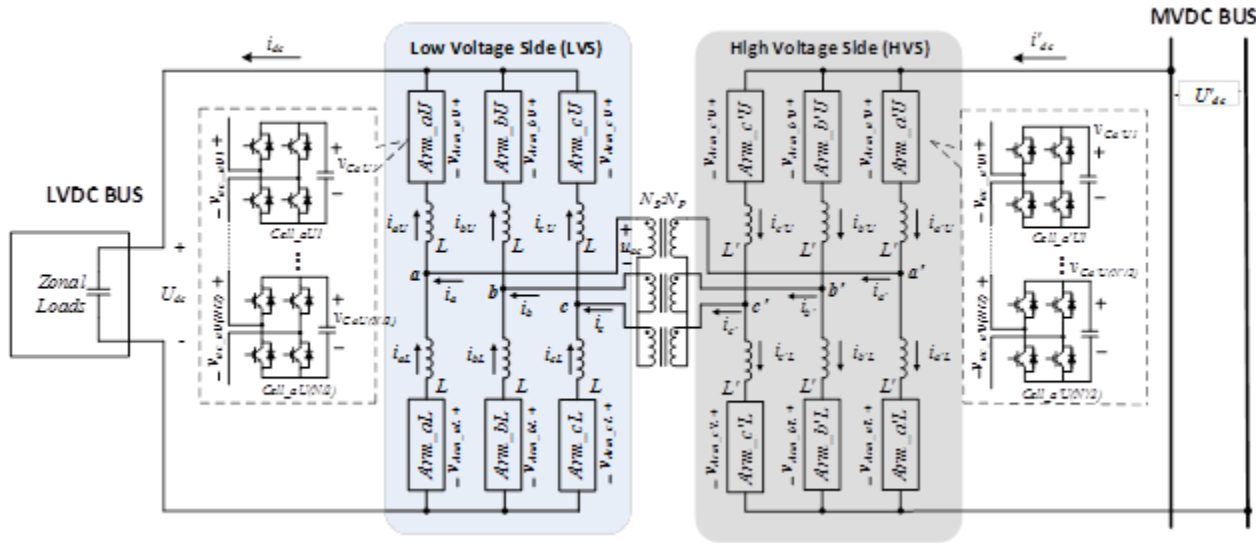
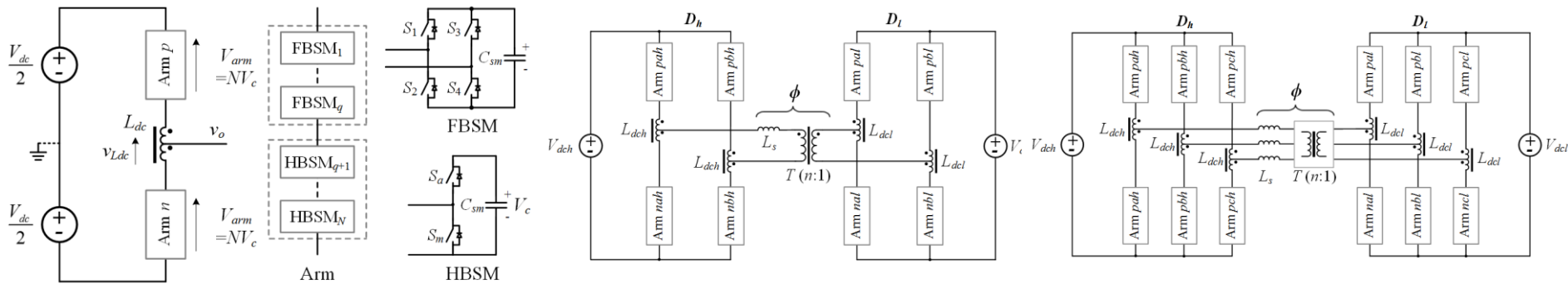


DC Transformer with FRT



3 kW Prototype

MMC based DC Transformer with FRT



CF-MDAB DC Transformer with FRT and Soft-Switching