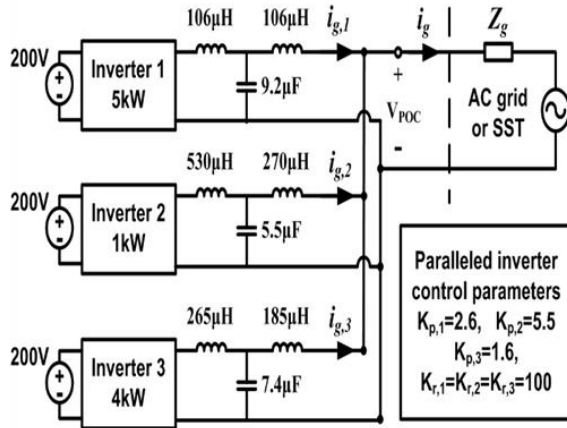


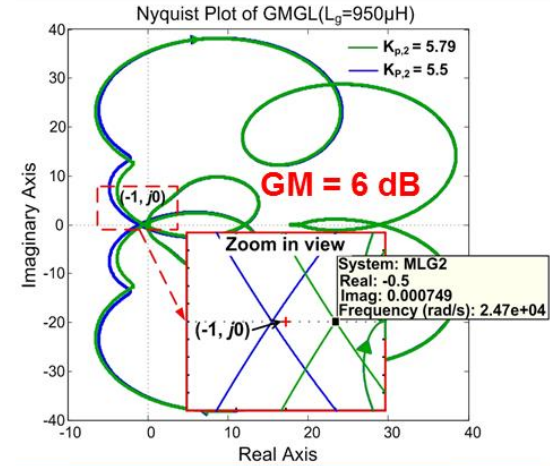
Microgrid Stability

AC system

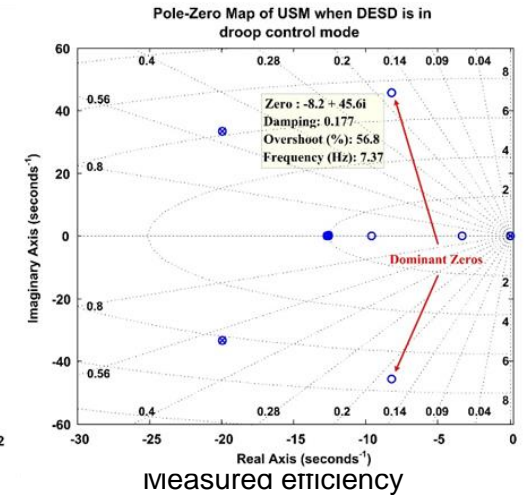
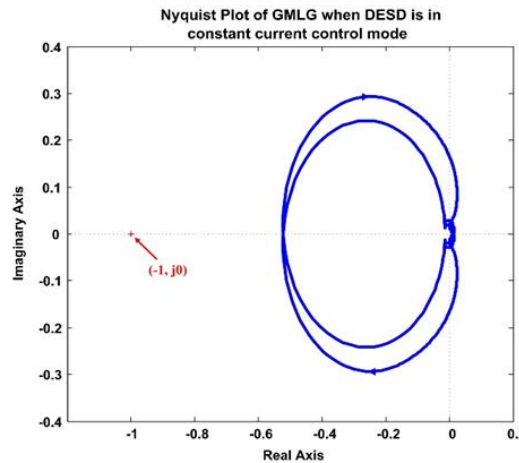
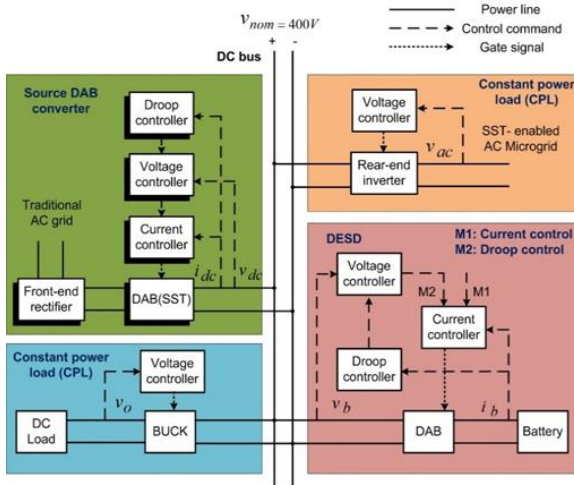


Stability-oriented design method

$$\left\{ \begin{array}{l} \text{Im}(GMLG) = 0, \\ \left\| \frac{1}{\min(\text{Re}(GMLG))} \right\|_{dB} = GM. \end{array} \right. \Rightarrow K_{p2} = 5.79.$$



DC system



Measured efficiency